



# Wood Cornices

INSTALLATION INSTRUCTIONS

---

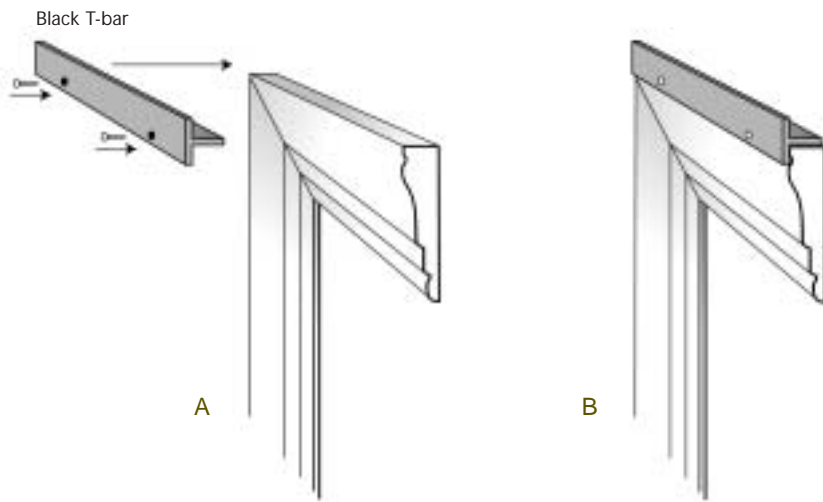
*meticulously made  
by hand in our  
Great Windows factory*

---

**GREATWINDOWS**  
*from next day blinds*

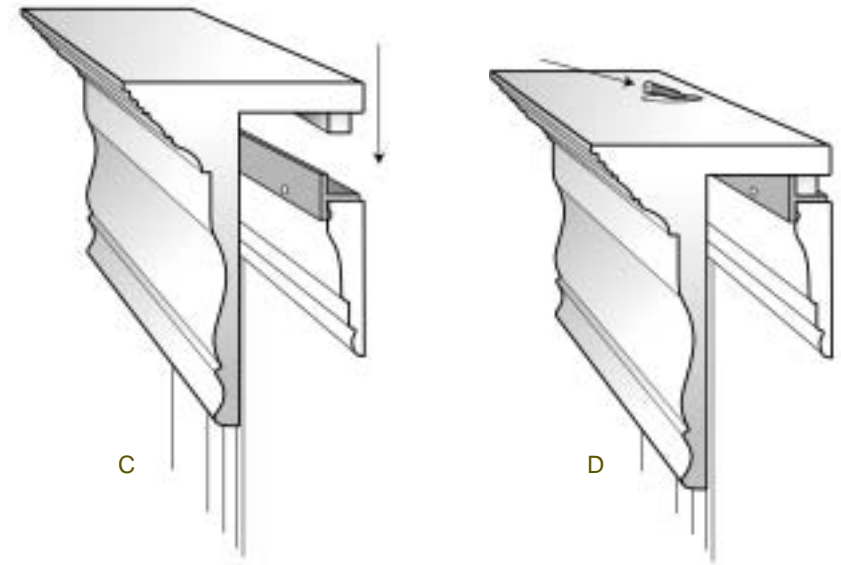
8251 Preston Ct., Jessup, MD 20794  
[www.greatwindows.com](http://www.greatwindows.com)  
1-800-556-6632

## Instructions for mounting OVER TRIM



**A** Set the black T-bar over the trim, holes towards bottom.

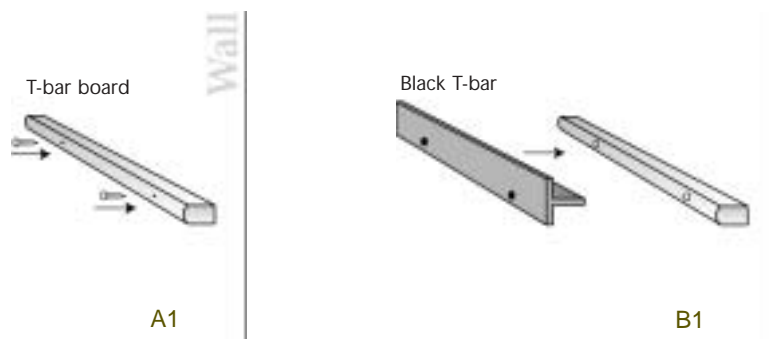
**B** Tack the T-bar into the trim, using the nails provided.



**C** Set the Cornice lip over the T-bar. You **MUST** perform step D. This T-bar is not intended to permanently support the weight of the cornice.

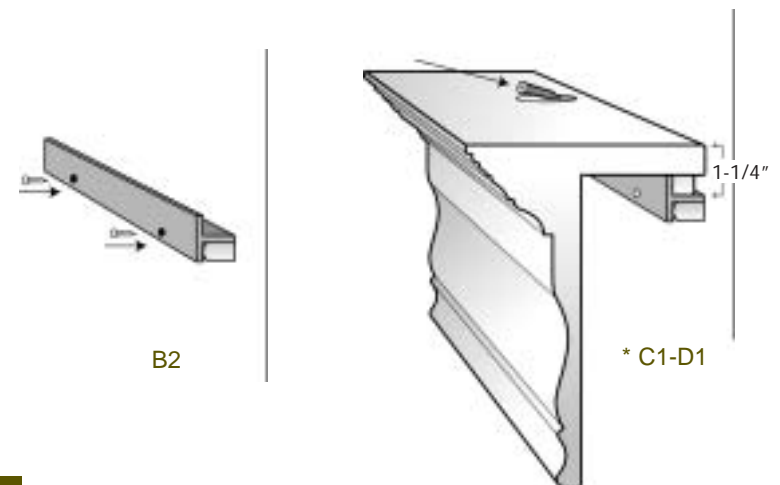
**D** Use supplied screws to securely mount the Cornice to the wall.

## Instructions for mounting to a wall - NO TRIM



**A1** Nail or screw T-bar board to wall where Cornice is to be installed

**B1-2** Tack the black T-bar, holes down, to the T-bar board using the supplied nails.



**C1** Set the Cornice lip over the T-bar. You **MUST** perform step D1. This T-bar is not intended to permanently support the weight of the cornice.

**D1** Use supplied screws to securely mount the Cornice to the wall.

\* *Note: The top of the Cornice will ultimately rest 1-1/4" over the top of the T-bar board. See figure D1.*